

Leistritz

L E I S T R I T Z S C R E W P U M P S



POWER GENERATION



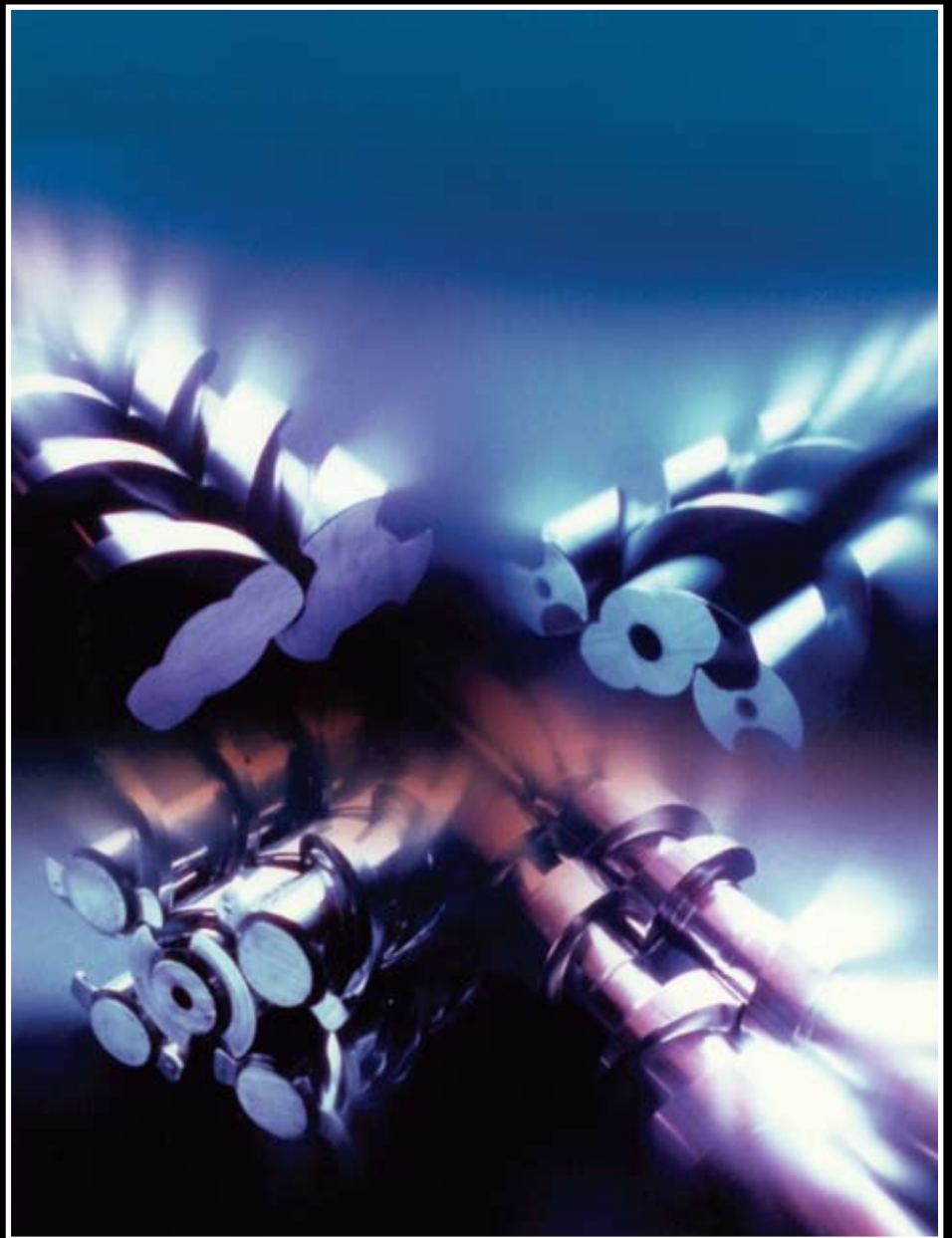
CHEMICAL PROCESS

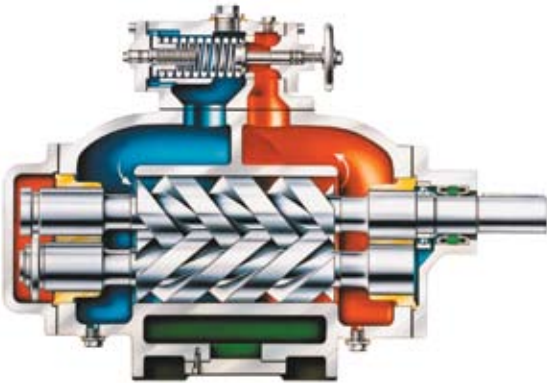


OIL & GAS

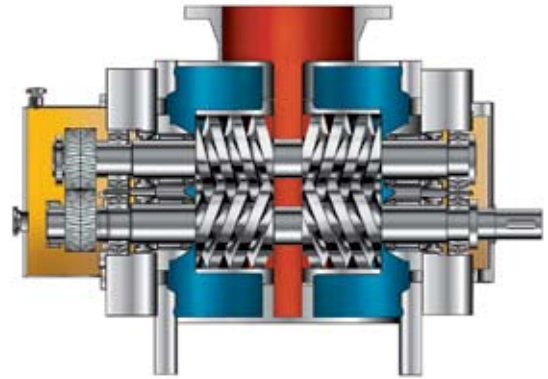


MARINE

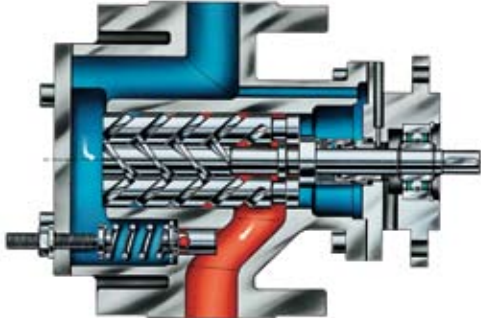




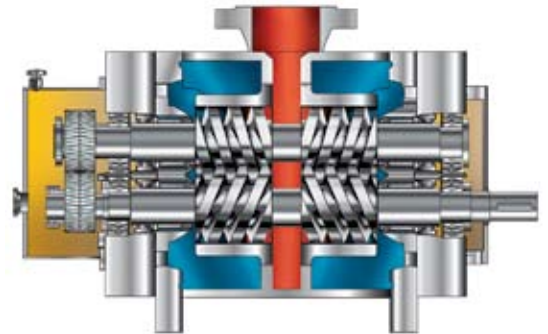
L2NG



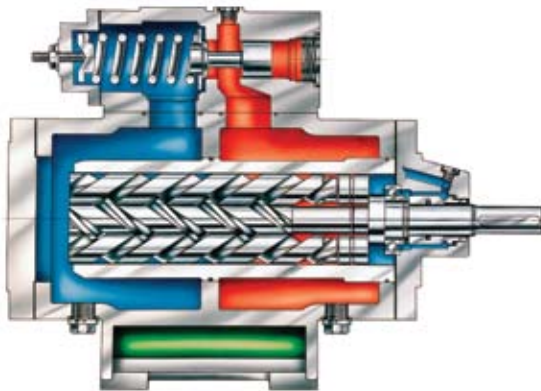
L4NG & L4MG



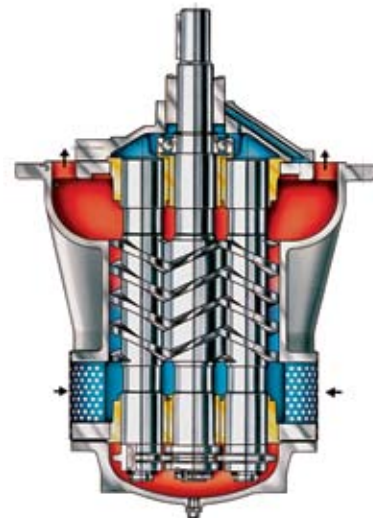
L3NG



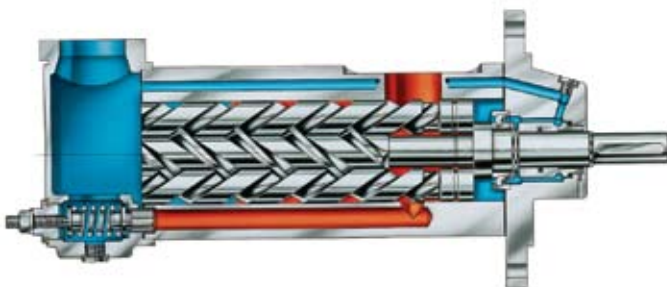
L4HG



L3MG



L5NT



L3MF

Industry**Marine** (Commercial and Military)**Chemical Process****Oil & Gas** (Upstream, Midstream and Downstream)**Power Generation****Applications**

Barge Unloading (deepwell & deck mount) • Cargo/Stripping (deepwell & pump room)
 • Engine Room (rotary & centrifugal) • Bilge/Ballast (piston, centrifugal & deepwell)
 Batching • Forwarding • Transfer • Loading • Bulk Handling
 Pipeline • Oil Production • Oil Gathering • Charge • Transfer • Flare Knock-out
 Injection • Forwarding • Lubrication • Unloading/Boosting

LEISTRITZ SCREW PUMPS

Pump Series	Typical Services	Performance Data		Executions
L2	Asphalt & PMA	Flow:	3-2,200 gpm	Mounting: Horizontal (foot & flange)
	MDI & MDA	Diff. Pressure:	250 psi (max.)	Vertical (pedestal & deepwell)
	Lube Oil	Viscosity:	1- 20,000 cSt	Bearing: Internal (product lubricated)
	Pitch & Tar	Temperature:	5-545° F	External (permanently grease packed)
	Bunker C & Heavy Fuel Oil			Seal: Packing, Lip, Single Mechanical
	Diesel Oil & VGO			Mag-Drive or Canned, (quench or heating optional)
L3	Crude Oil	Flow:	3-1,600 gpm	Mounting: Horizontal (foot & flange)
	Asphalt	Diff. Pressure:	2,300 psi (max.)	Vertical (pedestal & deepwell)
	Asphaltenes, Pitch & Tar	Viscosity:	1.2-5,000 cSt	Bearing: Internal (product lubricated)
	Lube Oil	Temperature:	5-360° F	External (permanently grease packed)
	Light & Heavy Fuel Oil			Seal: Packing, Lip, Single Mechanical or
	Kerosene			Mag-Drive (quench or heating optional)
	Residuals			
	Vacuum Bottoms			
L4	Oil/Water/Gas (Multiphase)	Flow:	10-10,000 gpm	Mounting: Horizontal (foot)
	Polymer	Diff. Pressure:	1,500 psi (max.)	Vertical (pedestal)
	Crude Oil	Viscosity:	0.1-20,000 cSt	Bearing: External (oil lubricant)
	Emulsions	Temperature:	5-600° F	Seal: Packing, Single Mechanical,
	Resins			Single Mechanical w/Throttle
	Molasses			Bushing, Double Mechanical,
	Naphtha			Double Mechanical w/Throttle
	Residuals			Bushing (quench or heating optional)
	Vacuum Bottoms			
L5	Asphalt & PMA	Flow:	500-5,300 gpm	Mounting: Horizontal (foot)
	Lube Oil	Diff. Pressure:	150 psi (max.)	Vertical (pedestal & deepwell)
	Pitch & Tar	Viscosity:	2.5-2,500 cSt	Bearing: Internal (product lubricated)
	Bunker C & Heavy Fuel Oil	Temperature:	5-340° F	External (permanently grease packed)
	Diesel Oil & VGO			Seal: Packing, Lip or Single Mechanical (quench or heating optional)

LEISTRITZ PUMPS AROUND THE WORLD

Leistritz began the manufacture of screw pumps more than 80 years ago, and the first product was a unique 2-rotor design, which is still the basis of our renowned L2 series.

Since then, the screw pump family has expanded to 3-rotor, 5-rotor and 2-rotor liquid as well as multiphase pumps. Leistritz' engineered approach means our standard products are molded to the demands of the Chemical Processing, Marine, Oil and Gas, Refining and Power Generation Markets. The modern screw pump cartridge design is also the basis for our "Re-engineered" pump that fits the envelope of an existing pump, eliminating costly repairs and extending service life. And all are built to recognized quality standards (ISO 9001 Certified) and in compliance with internationally recognized standards.



Leistritz engineers design and construct complete turnkey pumping packages, including pumps, motors, base plates, piping, valving, instrumentation, and monitoring and control panels needed for optimum reliability, performance and economy.



Leistritz

165 Chestnut Street, Allendale, NJ 07401
Telephone: 201-934-8262 / Fax: 201-934-8266

www.leistritzcorp.com/pumps

© 2010

Printed in the U.S.A. 0910-2M