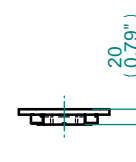
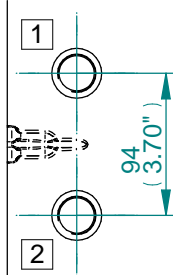


**F05/FA05 & F07/FA07  
BASE ADAPTER**



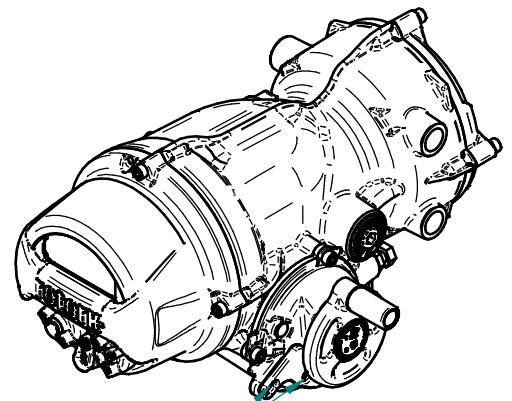
**CONDUIT ENTRIES  
(NTS)**



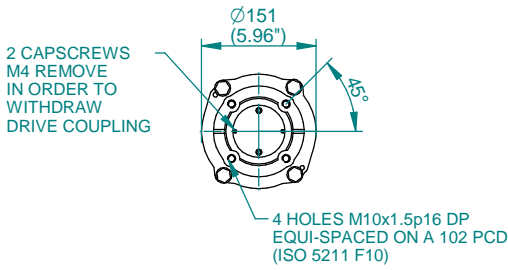
DEFAULT HOLE SIZE: M25x1.5P

**NOTES**

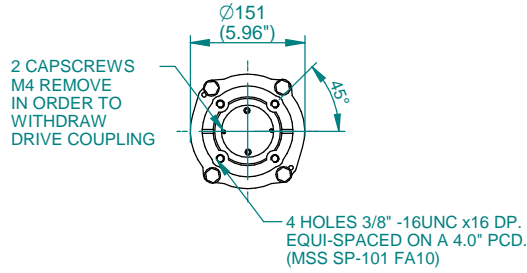
1. THE BASE ADAPTER SHOULD BE LOADED TO MTG POSITION INDICATED IF REQUIRED.
2. "\*" REMOVAL ALLOWANCE REQUIRED.



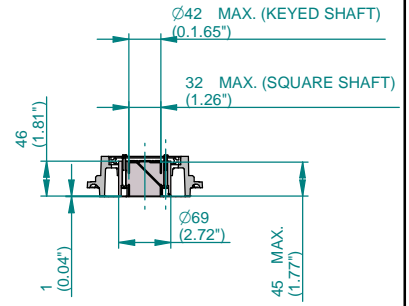
HAND / AUTO LOCKING  
BOLT HOLES  
FOR Ø8mm HASP PADLOCK



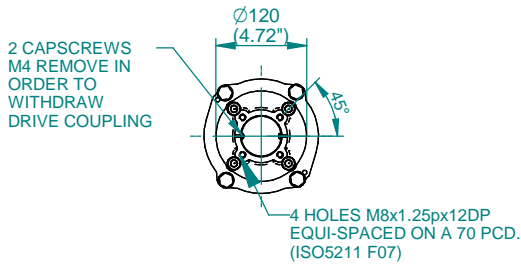
**F10 BASE DETAILS**



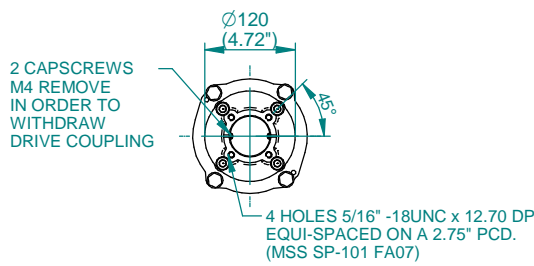
**FA10 BASE DETAILS**



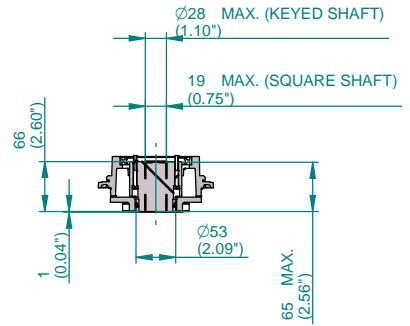
**COUPLING DETAILS (F10/FA10)**



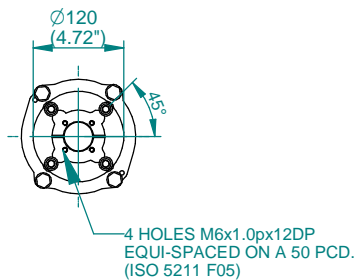
**F07 BASE DETAILS**



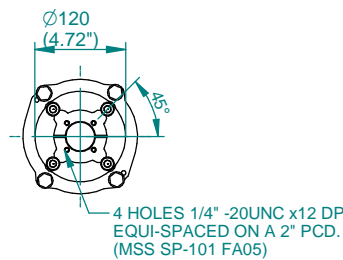
**FA07 BASE DETAILS**



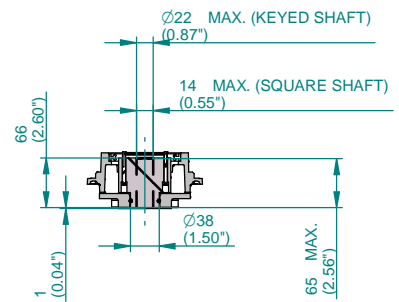
**COUPLING DETAILS (F07/FA07)**



**F05 BASE DETAILS**



**FA05 BASE DETAILS**



**COUPLING DETAILS (F05/FA05)**