



We put you first.
And keep you ahead.

Models RB and UB Air Release Head

Bulletin SS03040 Issue/Rev. 0.4 (4/15)

SMITH METER® AIR ELIMINATOR

Smith Meter® Models RB and UB Air Release Heads are used in combination with Smith Meter Air Eliminators or with strainers to release air or gas from petroleum liquids before they pass through the meter.

FEATURES	
»	NACE Compliance

APPLICATIONS

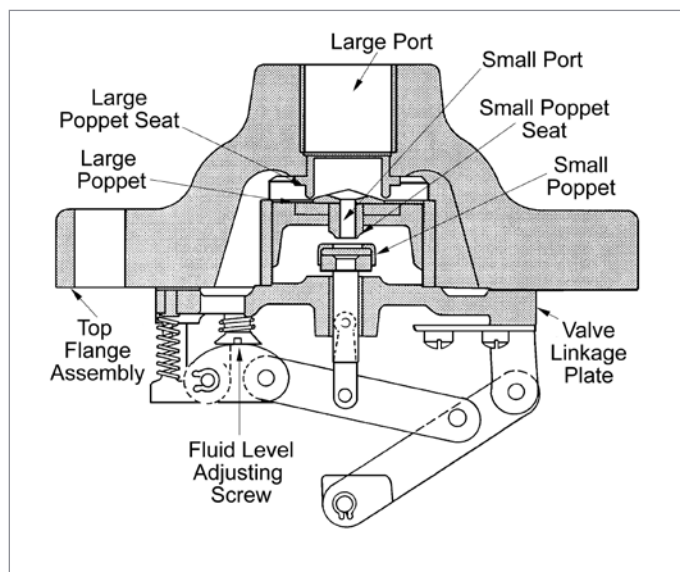
The air release head vent should be piped to a safe point of discharge. Never pipe to the inside of a building. Provide the end of the air release pipe with a suitable flame arrestor. The air release line should have an open drip at the lowest point, discharging back to storage or suitable container at atmospheric pressure ¹. A valve may be placed in the air release line near the eliminator provided the valve is always open except in an emergency.

SPECIFICATIONS

Vent Connections	
Vent connection:	.750-14 NPT
Product Specific Gravity	
Model RB:	0.50 minimum
Model UB (300 PSIG MAWP):	0.52 minimum
Model UB (720 PSIG MAWP):	0.57 minimum
Maximum Working Pressure	
Model RB:	300 PSIG ² @ 100°F
Model UB:	300 PSIG @ 100°F
Model UB ³ :	720 PSIG @ 100°F
Temperature	
RB, Buna-N Seals:	-20 to 225°F (-29 to 107°C)
RB, UB, Viton Seals:	10 to 400°F (-12 to 204°C)
UB, Chemraz Seals:	-20 to 500°F (-29 to 260°C)
RB, Low Swell Buna Seals:	-20 to 225°F (-29 to 107°C)



Type RB Air Release Head

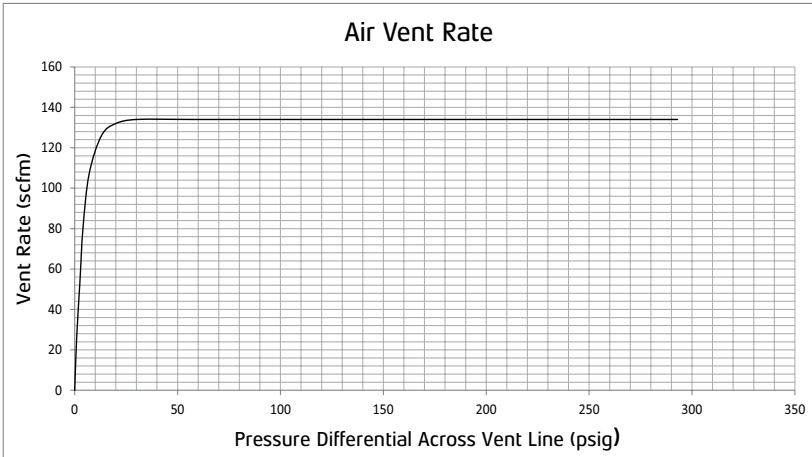


Type UB Air Release Head

¹ Follow all local, state and federal regulations.
² Note: Maximum 285 psig for vertical RB head design.
³ Standard



**We put you first.
And keep you ahead.**



MATERIALS OF CONSTRUCTION

Model RB Head

Mounting Plate	A 105 Carbon Steel
Seal Block	B 85 Aluminum (Anodized)
RB, Low Swell Buna Seals:	-20 to 225°F (-29 to 107°C)
Linkage / Hardware	Stainless Steel
Float	304 Stainless Steel
Float Guard	A 366 Carbon Steel

Model UB Head

Mounting Plate	A 216 Grade WCB Carbon Steel
Distributor Plate	A 48 Class 30 Cast Iron
Piston	Stainless Steel
Float	304 Stainless Steel
Float Guard	A 366 Carbon Steel

MODELING

- 00** – NPT Vent Port (Standard)
- R1** – RB Head with Buna-N seals (300 psig)
- R2** – RB Head with Viton seals (300 psig)
- R3** – RB Head with LS Buna seals
- VR1** – RB Head with Buna-N seals (285 psig)⁴
- VR2** – RB Head with Viton seals (285 psig)⁴
- VR3** – RB Head with LS-Buna seals⁴
- P1** – Petro-Gard style RB Head with Buna-N seals
- P2** – Petro-Gard style RB Head with Viton seals
- VP1** – Petro-Gard style RB Head with Buna-N seals⁴
- VP2** – Petro-Gard style RB Head with Viton seals⁴
- U3** – UB Head with Viton seals (300 psig)
- U4** – UB Head with Chemraz seals (300 psig)

ORDERING INFORMATION

Operating Conditions:	Liquid (name and specific gravity)
Temperature Range:	(minimum and maximum)
Maximum Operating Pressure:	(for Canada) CRN requirements.

⁴ Only used with VAR tank.
⁵ Only used in top mount strainer installations.

Revisions included in SS03040 Issue/Rev. 0.4 (4/15):

Added Air Vent Rate Chart. Updated Materials of Construction. Updated footnotes. Removed U1 and U2 reference in modeling code.

The specifications contained herein are subject to change without notice and any user of said specifications should verify from the manufacturer that the specifications are currently in effect. Otherwise, the manufacturer assumes no responsibility for the use of specifications which may have been changed and are no longer in effect.

Contact information is subject to change. For the most current contact information, visit our website at www.fmctechnologies.com/measurementsolutions and click on the "Contact Us" link in the left-hand column.